

Storage

| ORGANIZERS | |
|--------------------------------|-----|
| Thule Wall Organizer | 310 |
| Thule Shoe Organizer | 311 |
| Thule Countertop Organizer | 312 |
| Thule Trash Bin | 313 |
| Thule Toiletry Kit | 314 |
| Thule Go Box | 315 |
| Thule Garage Organizer | 316 |
| FIXATION | |
| Thule POD 2.0 | 317 |
| Thule Strap Kit for Organizers | 319 |
| Thule POD 1.0 | 321 |

Thule Wall Organizer



INFO

- Material 100% polyester
- Colour Black, grey, blue combination
- Dimensions 50 cm L x 85 cm H

FEATURES

- Storage compartments: 14 pockets, 2 extra mesh pockets, 2 elastic cords on the side for paper towels
- Integrated cover with zipper to protect your items during transport. Can remain open for easy access
- Easy to carry thanks to the built-in handle
- Strong, durable and weather-resistant
- Foldable for compact storage when not being used
- 2 velcro straps and 2 corner grommets offer a variety of options for fixation on the outer wall of vehicles, on garage doors or anywhere you want, both on the in- or outside of vehicles

FIXATION

- Thule POD 2.0 306804
- Thule POD 1.0 307620
- Thule Strap Kit for Organizers 307124
- Thule Ladder Fixation Kit 301405

| | |
|--------|----------------------|
| 306924 | Thule Wall Organizer |
|--------|----------------------|

Thule Shoe Organizer



INFO

- Material 100% polyester
- Colour Black, grey, blue combination
- Dimensions 50 cm L x 80 cm H

FEATURES

- Storage compartments: 10 large pockets for shoes, 2 extra mesh pockets
- Integrated cover with zipper to protect your shoes during transport and. Can remain open for easy access
- Contains small ventilation holes for optimal ventilation
- Easy to carry thanks to the built-in handle
- Strong, durable and weather-resistant
- Foldable for compact storage when not being used
- 2 velcro straps and 2 corner grommets offer a variety of options for fixation on the outer wall of vehicles, on garage doors or anywhere you want, both on the in- or outside of vehicles

FIXATION

- Thule POD 2.0 306804
- Thule POD 1.0 307620
- Thule Strap Kit for Organizers 307124
- Thule Ladder Fixation Kit 301405

306925

Thule Shoe Organizer

Thule Countertop Organizer



INFO

- Material 100% polyester
- Colour Black, grey, blue combination
- Dimensions 90 cm L x 40 cm H

FEATURES

- Storage compartments: 5 mesh pockets, 14 elastic loops, 1 pen holder, 2 paper towel holders
- Strong, durable and weather-resistant
- Foldable for compact storage when not being used
- 2 velcro straps and 2 corner grommets offer a variety of options for fixation on the outer wall of vehicles, on garage doors or anywhere you want, both on the in- or outside of vehicles

FIXATION

- Thule POD 2.0 306804
- Thule POD 1.0 307620
- Thule Ladder Fixation Kit 301405

| | |
|--------|----------------------------|
| 306926 | Thule Countertop Organizer |
|--------|----------------------------|

Thule Trash Bin



INFO

- Material 100% polyester
- Colour Black, grey, blue combination
- Dimensions 35 cm L x 35 cm W x 70 cm H

FEATURES

- A handy zipper at the bottom makes it easy to remove
- All contact surfaces are smooth and maintenance friendly
- Suitable for plastic trash bags of 50 litres
- Closable with foldable lid on top
- Foldable for compact storage when not being used
- Rigid metal frame
- Strong, durable and weather-resistant
- Can be mounted on a POD 1.0 on the outer wall of the vehicle, on the garage door or anywhere you want on the in- or outside of vehicles

FIXATION

- Thule POD 1.0 307620

| | |
|--------|-----------------|
| 306927 | Thule Trash Bin |
|--------|-----------------|

Thule Toiletry Kit



INFO

- Material 100% polyester
- Colour Black, grey, blue combination
- Dimensions when closed 35 cm L x 40 cm H
- Dimensions when opened 35 cm L x 120 cm H

FEATURES

- Storage compartments: 13 different compartments and a dedicated compartment for first-aid items
- Detachable mirror with a practical velcro connection
- Easy to carry thanks to the handle on top
- Closable with a zipper
- Strong, durable and weather-resistant, waterproof material inside
- Foldable for compact storage when not being used
- Strong L-shaped hook to fit over a door/wall, on a door handle, on a POD,...

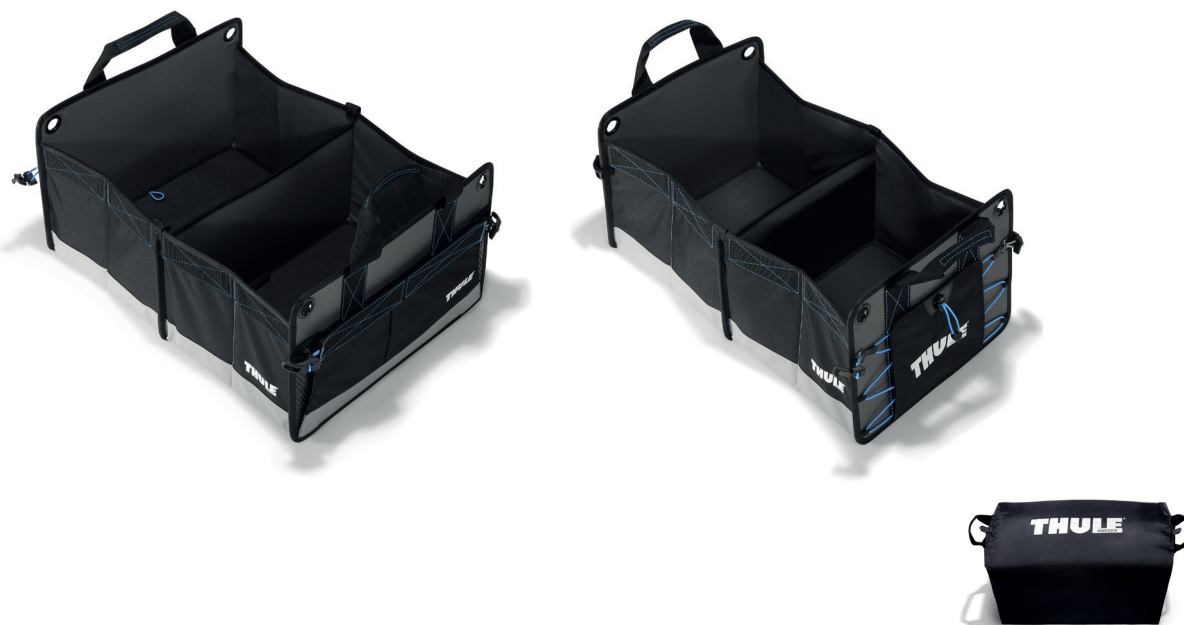
FIXATION

- Thule POD 2.0 306804
- Thule POD 1.0 307620
- Thule Strap Kit for Organizers 307124

306928

Thule Toiletry Kit

Thule Go Box



INFO

- Material 100% polyester
- Colour Black, grey, blue combination
- Dimensions Medium 61 cm L x 36 cm W x 30 cm H
- Dimensions Large 61 cm L x 46 cm W x 30 cm H

FEATURES

- Storage compartments: 2 main compartments and 3 side pockets
- Available in two sizes
- Perfect to store all kinds of things in your motorhome, caravan garage or in the trunk of the car
- Take the Thule Go Box for a picnic on the beach or to go shopping
- Strong, durable, weather-resistant, maintenance friendly
- No installation required
- Foldable for compact storage when not being used
- Water-resistant cover included

| | |
|--------|-----------------------|
| 306929 | Thule Go Box - Medium |
| 306930 | Thule Go Box - Large |

Thule Garage Organizer



INFO

- The set includes:
 - rails (2x)
 - buttons (6x)
 - straps (2x)
 - cargo net (1x)
- Gross weight: 4.20 kg
- Net weight: 3.80 kg
- Dimensions: 11 x 14 x 10 cm

FEATURES

- Universal railing kit & accessories for optimizing space efficiency in the vehicle's garage
- Easy-to-use tensioning system & cargo net to safely secure items during transport
- Base profiles (2.00 m) screwed to the vehicle wall
- Expandable with extra Thule Garage Organizer items
- Compatible with all Thule Cargo Management accessories

| | |
|--------|---|
| 302510 | Thule Garage Organizer |
| 302511 | Thule Garage Organizer - Rail Kit (2 pcs) |
| 302513 | Thule Garage Organizer - Button (6 pcs) |
| 302515 | Thule Garage Organizer - Straps (2 pcs) |
| 302516 | Thule Garage Organizer - Net |

Thule POD 2.0



INFO

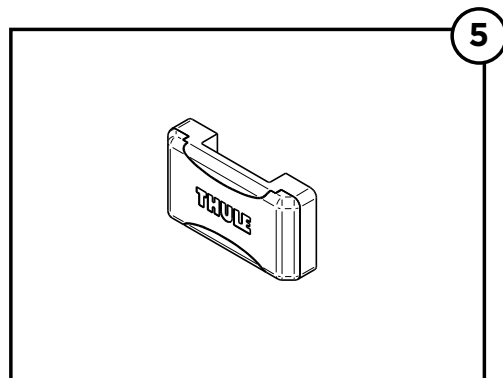
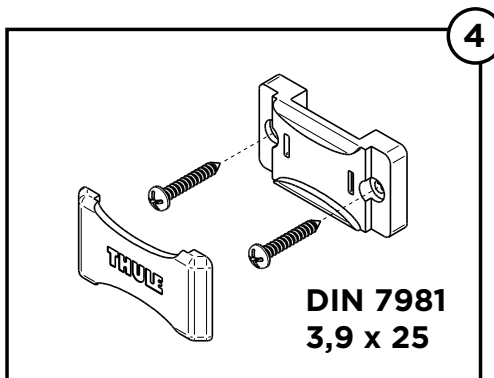
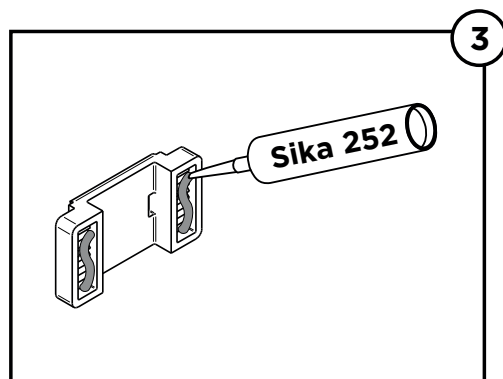
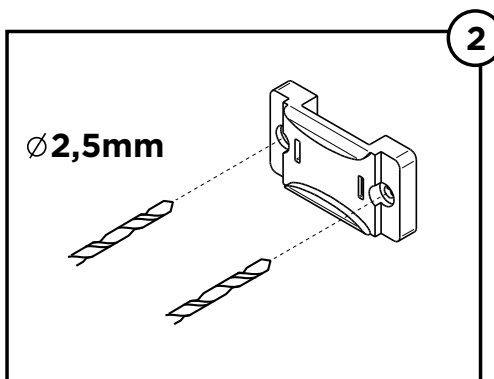
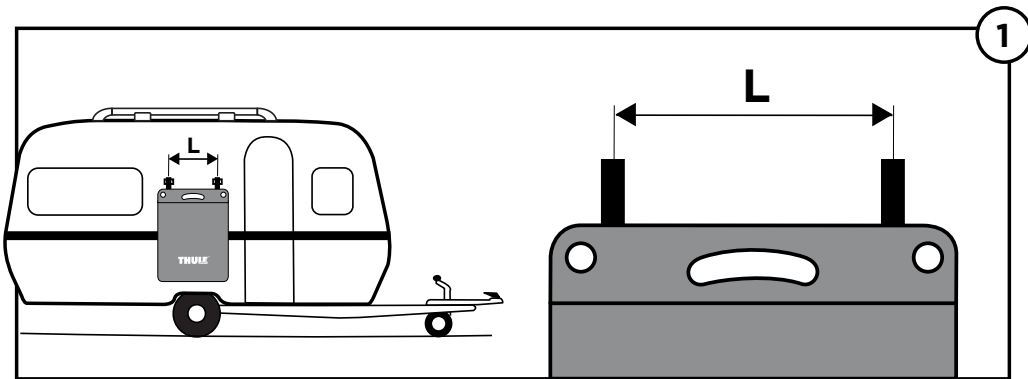
- | | |
|----------------|-----------------------------|
| • Material | UV-resistant plastic |
| • Colour | White |
| • Dimensions | 55 mm L x 12 mm W x 30 mm H |
| • Maximum load | 10 kg/POD |

FEATURES

- Compact and discreet design
- Easy to install
- Mounted with 2 screws and/or glue
- Cover included
- For in- or outdoor application
- Can be installed on the outside of a RV wall, on the inside of a garage or on the garage door, on interior cabinets, on a bed board,... or anywhere at home
- Content:
 - 2 pieces

306804

Thule POD 2.0



Thule Strap Kit for Organizer



INFO

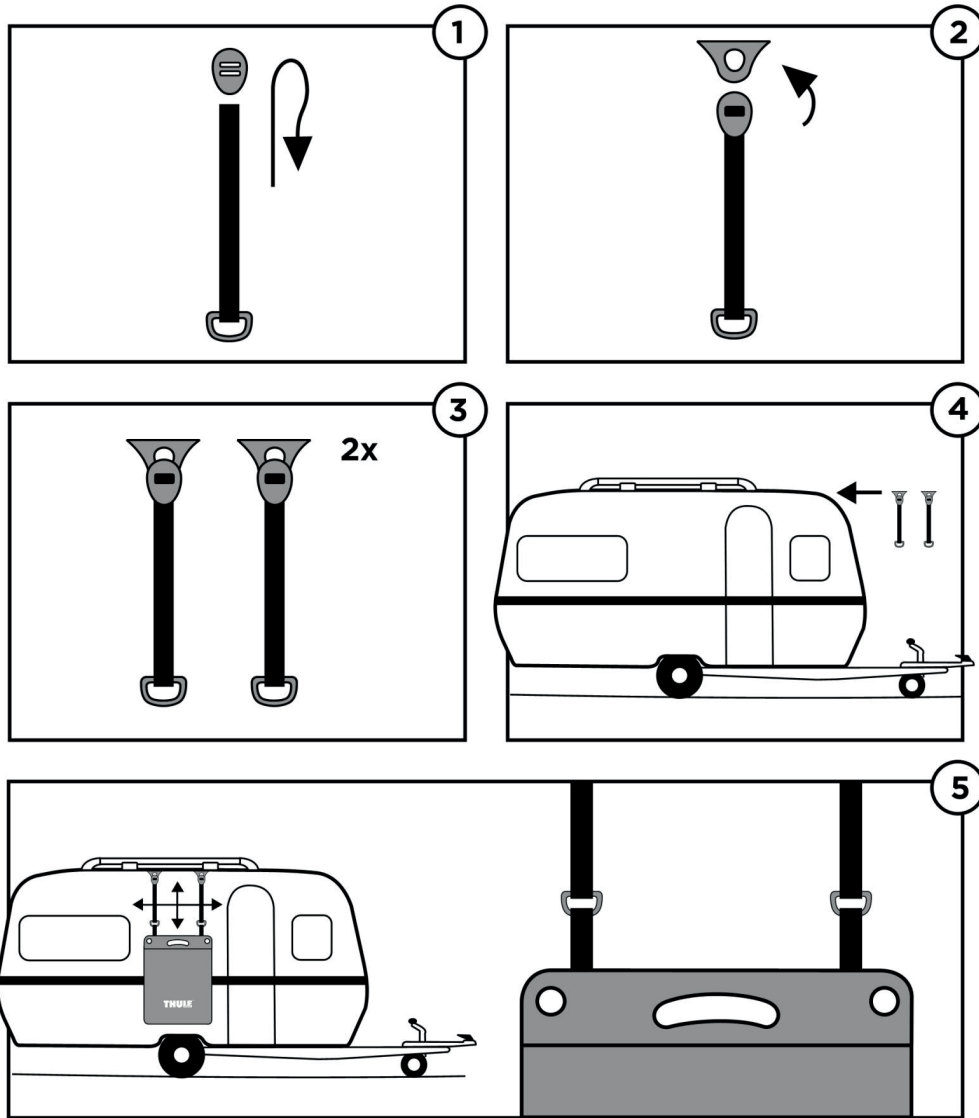
- Colour Black
- Strap length 1.20 m
- Maximum load 10 kg/strap

FEATURES

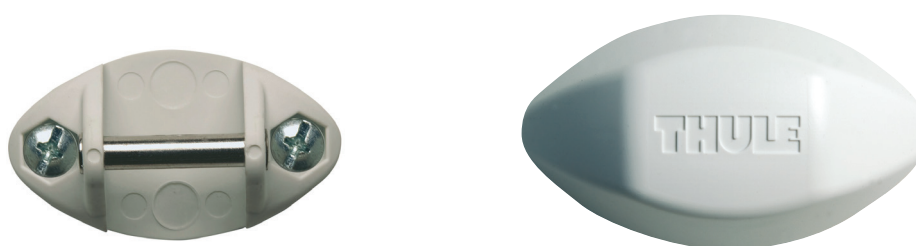
- Fits in the caravan rail or the front lead rail of an awning
- Quick release system
- Adjustable in height
- Organizers can be installed with the complete strap or directly on the rail attachments
- Content:
 - 2 pieces

307124

Thule Strap Kit for Organizers



Thule POD 1.0



INFO

- Material Fiberglass-reinforced, UV-resistant nylon with a stainless steel pin
- Colour White
- Dimensions 88 mm L x 44 mm W x 52 mm H

FEATURES

- Easy and safe way to connect accessories to the wall
- Mounted with 2 screws and metal plate for glue
- For heavy-duty use (e.g. in combination with the Thule Trash Bin)
- Includes a cover for a discrete look when not in use
- For in- or outdoor application
- Can be installed on the outside of a RV wall, on the inside of a garage or on the garage door, on interior cabinets, on a bed board,... or anywhere a home
- Content:
 - 2 pieces

| | |
|--------|---------------|
| 307620 | Thule POD 1.0 |
|--------|---------------|

